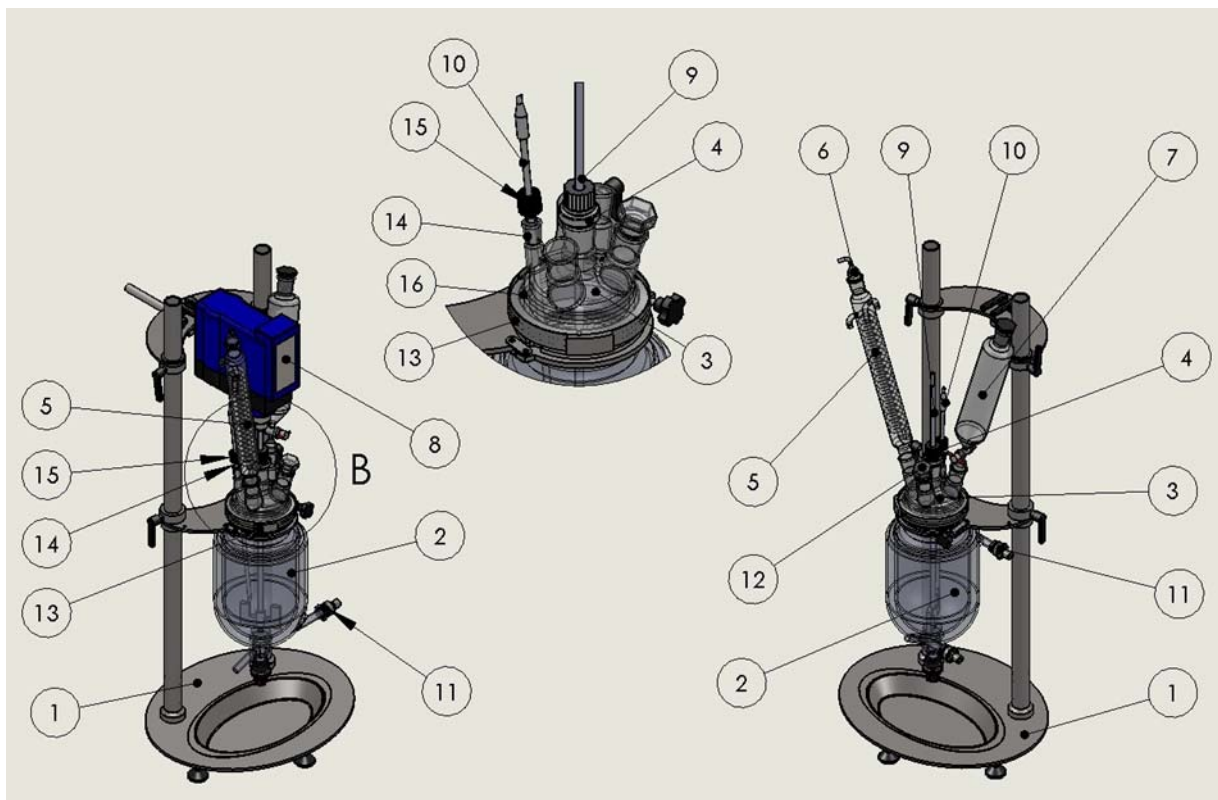


LAB REACTOR CONFIGURATIONS



N.	Description	Steroglass Code						
		0,3 lt SQEG067819	0,5 lt SQEG067823	1 lt SQEG067825	2 lt SQEG067827	3 lt SQEG067829	5 lt SQEG067831	7 lt SQEG067833
1	Support Stand Base AISI316 with spill tray for fluid recovery	SQEG067841						
2	DN100 jacketed vessel with Torion discharge	SQEG067820	SQEG067824	SQEG067826	SQEG067828	SQEG067830	SQEG067832	SQEG067834
3	Glass cover DN100 4 cones 29/32, 1 cone 14/23 (* other versions are available upon request)	SQEG067822						
4	STIRRER BEARING NS 29/32 Ø8 mm GL 25	BQRY037384						
5	Dimroth Condenser NS29 cones (* other versions are available upon request)	SQUA029950 200 mm Jacket length	SQUA019390 300 mm Jacket length	SQUA019392 350 mm Jacket length		SQUA029951 500 mm Jacket length		
6	90° CONNECTION NSM29 HOSE CONNECTION 9	SQUA018952						
7	Graduated cylindrical separator R/PTFE NSM29F19 (* other versions are available upon request)	SQUA030760 50ml	SQUA020445 100 ml	SQUA020446 250 ml	SQUA030761 500 ml	SQUA030758 1000 ml	SQUA030759 2000 ml	
8	Eurostar 60 Control stirrer (* other versions are available upon request)	IKAI067703						
9	U-shaped stirrer shaft (* other versions are available upon request)	BQRY067873 blade 40 h35 shaft h350mm	BQRY033160 60X40X450	BQRY050923 blade 80 h50 shaft h450mm		BQRY059863 blade 80 h50 shaft h600 mm		
10	Temperature sensor probe D6	SQEG067957 L300mm		SQEG067958 L450mm		SQEG067959 L600mm		
11	Service connection	SQEG067821						
12	Hexagonal stopper, pointed, diamond ground, NS 29/32	SQUA047617						
13	Quick release clamp DN100	VAJQ006915						
14	Screwthread tube with cone, GL 18, cone NS 14.5/23 for PT100 probe	SQUA018897						
15	Swivelling screw fitting GL 18, A O MAX. 6.0 mm, 5° for PT100 probe	BQRY067900						
16	DN100 O-ring	VAJQ015398						

No.	Description	Steroglass Code						
		CAPACITY RODAVIS (RDV)						
		0,3 lt SQEG067844	0,5 lt SQEG067847	1 lt SQEG067848	2 lt SQEG067850	3 lt SQEG067852	5 lt SQEG067854	7 lt SQEG067856
1	Support Stand Base AISI316 with spill tray for fluid recovery	SQEG067841						
2	DN100 jacketed vessel with Torion discharge	SQEG067820	SQEG067824	SQEG067826	SQEG067828	SQEG067830	SQEG067832	SQEG067834
3	Glass cover DN100 4 cones RDV 29/32 1 cone 14/23 (* other versions are available upon request)	SQEG067845						
4	Stirrer beaig NS 29/32 O8 mm GL 25	BQRY037384						
5	Dimroth Condenser NS29 cones (* other versions are available upon request)	SQEG067860 200 mm Jacket length	SQEG067861 300 mm Jacket length	SQEG067862 350 mm Jacket length			SQEG067864 500 mm Jacket length	
6	90° connection NSM29 HOSE CONNECTION 9	SQUA018952						
7	Graduated cylindrical separator R/PTEE RDV29F19 (* other versions are available upon request)	SQEG067846 50ml	SQEG067849 100 ml	SQEG067851 250 ml	SQEG067853 500 ml	SQEG067855 1000 ml	SQEG067857 2000 ml	
8	Eurostar 60 Control stirrer (* other versions are available upon request)	IKAI067703						
9	U-shaped stirrer shaft (* other versions are available upon request)	BQRY067873 blade 40 h35 shaft h350mm	BQRY033160 60X40X450	BQRY050923 blade 80 h50 shaft h450mm		BQRY059863 blade 80 h50 shaft h600mm		
10	Temperature sensor probe D6	SQEG067957 L300mm		SQEG067958 L450mm		SQEG067959 L600mm		
11	Service connection	SQEG067821						
12	Hexagonal stopper, pointed, diamond ground, NS 29/32	SQUA047617						
13	Quick release clamp DN100	VAJQ006915						
14	Screwthread tube with RDV14/23 cone NS GL18 for PT100 probe	SQUA067975						
15	Swivelling screw fitting GL 18, A O MAX. 6,0 mm, 5° for PT100 probe	BQRY067900						
16	DN100 O-ring	VAJQ015398						

No.	Description	Steroglass Code				
		CAPACITY NS CONES FOR TWR				
		0,3lt SQEG067918	0,5lt SQEG067919	1lt SQEG067920	2lt SQEG067921	3lt SQEG067922
1	Support Stand Base AISI316 with spill tray for fluid recovery	SQEG067841				
2	DN100 jacketed vessel with Torion discharge	SQEG067923	SQEG067924	SQEG067925	SQEG067926	SQEG067927
3	Glass cover DN100 4 cones NS 29/32 1 cone 14/23 (* other versions are available upon request)	SQEG067822				
4	Stirrer beaig NS 29/32 O8 mm GL 25	BQRY037384				
5	Dimroth Condenser NS29 cones (* other versions are available upon request)	SQUA029950 200 mm Jacket length	SQUA019390 300 mm Jacket length	SQUA019392 350 mm Jacket length		
6	90° connection NSM29 HOSE CONNECTION 9	SQUA018952				
7	Graduated cylindrical separator R/PTEE NS9F19 (* other versions are available upon request)	SQUA030760 50ml	SQUA020445 100 ml	SQUA020446 250 ml	SQUA030761 500 ml	
8	Eurostar 60 Control stirrer (* other versions are available upon request)	IKAI067703				
9	U-shaped stirrer shaft (* other versions are available upon request)	BQRY067873 blade 40 h35 shaft h350mm	BQRY033160 60X40X450	BQRY050923 blade 80 h50 shaft h450mm		
10	Temperature probe	BQRY067067 L300mm			BQRY067067 L450mm	
11	Service connection	SQEG067821				
12	Hexagonal stopper, pointed, diamond ground, NS 29/32	SQUA047617				
13	Quick release clamp DN100	VAJQ006915				
14	Screwthread tube with cone, GL 18, cone NS 14.5/23 PT100 probe	SQUA018897				
15	Swivelling screw fitting GL 18, A O MAX. 6,0 mm, 5° for PT100 probe	BQRY067900				
16	DN100 O-ring	VAJQ015398				